

thePixa P360 KNX UP BK

Item no.: 2269202

theben

KNX

Präsenz- / Bewegungsmelder

Description

- Optical sensor for ceiling installation
- KNX Data Secure
- Rectangular detection area with up to 6 flexible detection zones (Total area 11.0 x 15.5 m 171 m²; at 4.5 m installation height)
- Restriction of the detection area via app (thePixa Plug)
- Automatic presence and brightness-dependent control for lighting and HVAC
- Each detection zone has its own light measurement
- Adjustment of brightness measurements via thePixa Plug app
- Configurable sensitivity of sensor
- Distinction between motion and presence
- Parallel switching of multiple sensors (Master/Slave or Master/Master)
- Test mode for checking function and detection area via app (thePixa Plug)
- Output of occupancy rate and occupancy density via telegram
- Integrated temperature sensor
- Ceiling installation in flush-mounting box (2-point fixing)
- Surface mounting on ceilings possible with surface frame (option)
- thePixa Plug app for settings and evaluations (iOS/Android)
- KNX firmware update possible (ETS app)
- Sensor firmware update possible (thePixa Plug app)
- 6 channels light, Z1 light – Z6 light:
 - Switching or constant lighting control with 6 independent control systems and standby function (orientation light)
 - Switching mode with dimmable lighting
 - Free switch object with configuration type switching
 - Fully or semi-automatic device
 - Brightness switching value configurable in lux by using parameters
 - Brightness switching value configurable in lux by using parameters and telegram
 - Light time delay configurable by using parameters
 - Aura effect for better orientation and greater safety
 - Manual override by telegram
- 6 channels HKL, Z1 HKL – Z6 HKL:
 - Configurable switch-on delay and time delay
 - Sending of operating mode
 - Separate block telegram
- 6 channels room occupancy, Z1 room occupancy – Z6 room occupancy:
 - Output of number of persons
 - Control of a fan with up to 3 stages
 - 3 configurable thresholds (threshold switch)



Subject to technical changes and misprints

additional information at: www.theben.de/product/2269202

The load data are determined with exemplary selected illuminants and are therefore typical data due to the large number of available products.

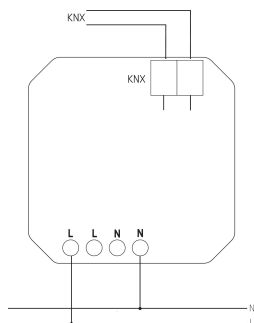
thePixa P360 KNX UP BK

Item no.: 2269202

Technical data

thePixa P360 KNX UP BK		thePixa P360 KNX UP BK	
Operating voltage	230 – 240 V AC	Light switch-off delay	0 s – 60 min
Frequency	50 Hz	Light measurement	Mixed light measurement
Stand-by consumption	≤1.6 W	Switch-on delay presence	0 s – 120 min / inactive
Installation height	2.5 – 4.5 m	Ambient temperature	-5°C ... 45°C
Minimum height	≥ 2,5 m	Colour	Black
Measuring range brightness	5 – 3000 lx	Setting range temperature	-15°C ... 60°C
Type of connection	Terminal screws Bus connection: KNX bus terminal	Type of protection	IP 20
Installation type	Flush-mounted		

Connection example



Detection range for planning applications at a temperature of 21 °C

Mounting height (A)	Walking (T)	Sitting (S)
2.5 m	54 m ² 6 m x 9 m	22 m ² 4 m x 5.5 m
3 m	79 m ² 7.5 m x 10.5 m	35 m ² 5 m x 7 m
3.5 m	102 m ² 8.5 m x 12 m	51 m ² 6 m x 8.5 m
4 m	128 m ² 9.5 m x 13.5 m	79 m ² 7.5 m x 10.5 m
4.5 m	171 m ² 11 m x 15.5 m	102 m ² 8.5 m x 12 m

Subject to technical changes and misprints

additional information at: www.theben.de/product/2269202

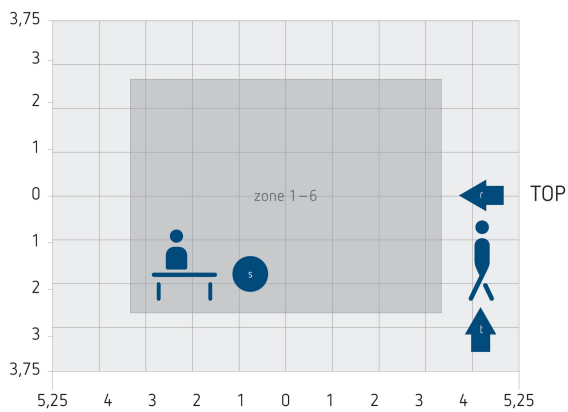
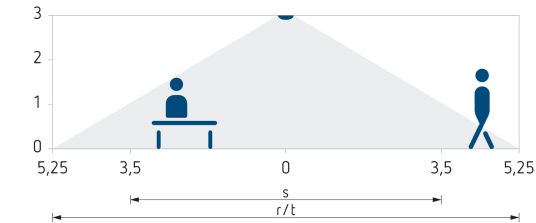
The load data are determined with exemplary selected illuminants and are therefore typical data due to the large number of available products.

thePixa P360 KNX UP BK

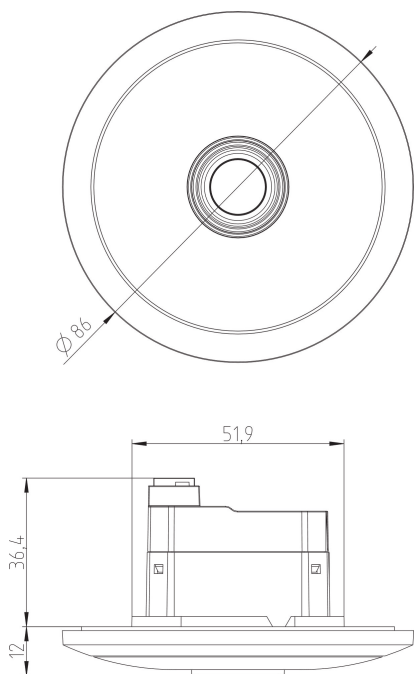
Item no.: 2269202



Detection range for planning applications at a temperature of 21 °C



Scale drawings



Subject to technical changes and misprints

additional information at: www.theben.de/product/2269202

The load data are determined with exemplary selected illuminants and are therefore typical data due to the large number of available products.

thePixa P360 KNX UP BK

Item no.: 2269202

theben

Accessories

Ceiling installation box 68A

Item no.: 9070992



Surface frame thePixa WH

Item no.: 9070816



Surface frame thePixa WH

Item no.: 9070443



Subject to technical changes and misprints

additional information at: www.theben.de/product/2269202

The load data are determined with exemplary selected illuminants and are therefore typical data due to the large number of available products.

27/01/2023

Page 4 of 4